

Z541 12-1/4" DIAMETER HEAVY-DUTY DRAIN



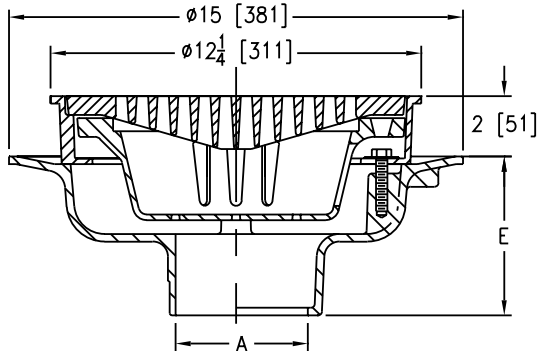
ENGINEERING SPECIFICATION

Zurn Z541 12-1/4" diameter top drain features Dura-Coated cast iron body with bottom outlet, seepage pan, and combination membrane flashing clamp and frame for anti-tilt, heavy-duty, slotted grate with suspended polypropylene sediment bucket.

NOTES

†Add 3/16" to 2" dimension and 3/4" to 12-1/4" dimension for ZB and ZN

A Pipe Size inch [mm]	Grate Open Area sq in [cm ²]	Approximate Weight lb [kg]
2 [51], 3 [76], 4 [102]	30 [194]	51 [23]
6 [152]		52 [24]
8 [203]		53 [24]



PREFIXES	DESCRIPTION	PIPE SIZE	LIST PRICE
Z541*	D.C.C.I. Body and Top	2", 3", 4", 6" 8"	1,501.00 1,808.00
ZB541	D.C.C.I. Body with Polished Bronze Top	2", 3", 4", 6" 8"	2,125.00 2,427.00
ZN541	D.C.C.I. Body with Polished Nickel Bronze Top	2", 3", 4", 6" 8"	2,222.00 2,525.00

OUTLETS (SPECIFY PIPE SIZE IN INCHES AND TYPE OF OUTLET)			
OUTLET TYPE	PIPE SIZE/OUTLET TYPE	E BODY HT. DIM.	ADD
IC	Inside Caulk	3IC, 4IC, 6IC	5-1/4" N/C
IG	Inside Gasket	3IG, 4IG, 6IG	5-1/4" N/C
IP	Threaded	2IP, 3IP, 4IP, 6IP, 8IP	3-3/4" 80.00
NH	No-Hub	2NH, 3NH, 4NH, 6NH, 8NH	5-1/4" N/C
NL	Neo-Loc	2NL, 3NL, 4NL	4-5/8" N/C

SUFFIXES		ADD
-AR	Acid Resisting Epoxy Coated Cast Iron	1,098.00
-DG	Duresist Grate	257.00
-DX	Dex-O-Tex Flange	552.00
-G	Galvanized Cast Iron	957.00
-H	Hinged Grate	242.00
-HP	Heel-Proof Grate	N/C
-P	Trap Primer Connection	150.00
-S	Secondary Strainer	98.00
Ⓢ -SA	Stabilizer Assembly (See Z1036)	148.00
-SS	Stainless Steel Mesh Liner for Bucket	417.00
Ⓢ -TC	Neo-Loc Test Cap Gasket (2", 3", 4" NL Bottom Outlet Only)	24.00
-TG	Tractor Grate	257.00
-TS	Top Secured with Slotted Screws	129.00
-TSP	Trap Seal Protection Device (Size Matches Drain Outlet Selected, See Z1072)	POA
-V	Backwater Valve (See Z1099)	-
-VP	Vandal-Proof Secured Top	149.00
-WS	Wide Slotted Grate (50 sq. in. open)	N/C
-YC	Cast Iron Sediment Bucket	273.00
-90	90° Threaded Side Outlet Body Assembly (2" thru 6")	365.00
		DEDUCT
-LY	Less Sediment Bucket	-325.00

BEST SELLERS	LIST PRICE
Z541-3NH	1,501.00
Z541-3NH-P	1,651.00
ZN541-3NH	2,222.00
Z541-3NL	1,501.00
Z541-3NL-P	1,651.00
Z541-4IP	1,581.00
Z541-4NH	1,501.00
ZB541-4NH	2,125.00
Z541-4NH-DG	1,758.00
Z541-4NH-P	1,651.00
Z541-4NH-TG	1,758.00
ZN541-4NH	2,222.00
Z541-4NL	1,501.00
ZB541-4NL	2,125.00
Z541-4NL-HP	1,501.00
Z541-4NL-P	1,651.00
Z541-4NL-VP	1,650.00
ZN541-4NL	2,222.00
Z541-6NH	1,501.00
ZB541-6NH	2,125.00
Z541-6NL	1,501.00

Supplied By:



877-903-7246

www.commercialplumbingsupply.com

*Regularly furnished unless otherwise specified.

Items designated as Best Sellers are most specified and are generally in stock for shipment.

Ⓢ This symbol denotes a product that is engineered to reduce installation and rework time.

For additional product information, please visit www.zurn.com